

WIRING INSTRUCTIONS

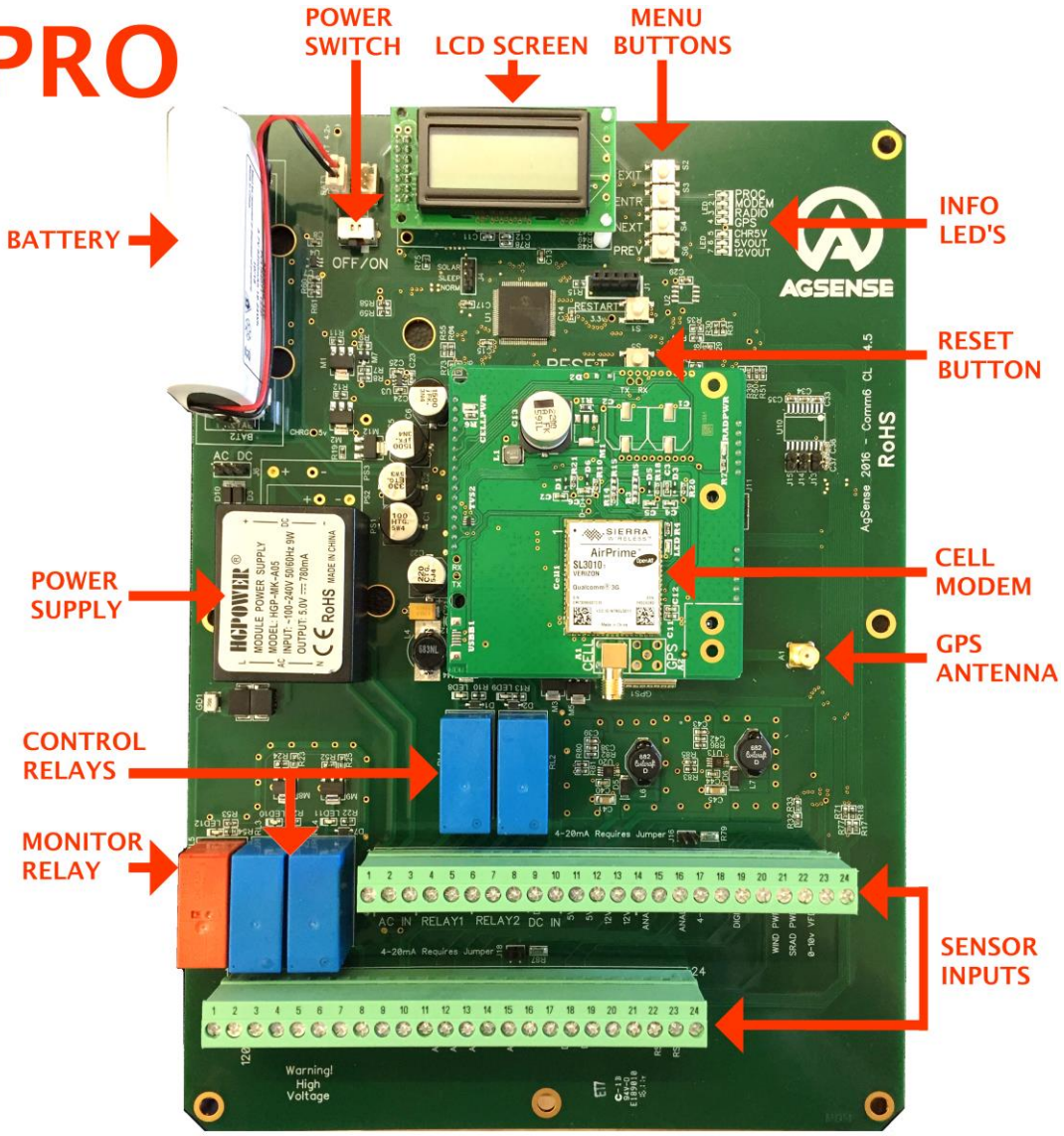
2017-18

CROP-LINK

Weather Instrument Wiring

CropLink Pro/Lite Overview

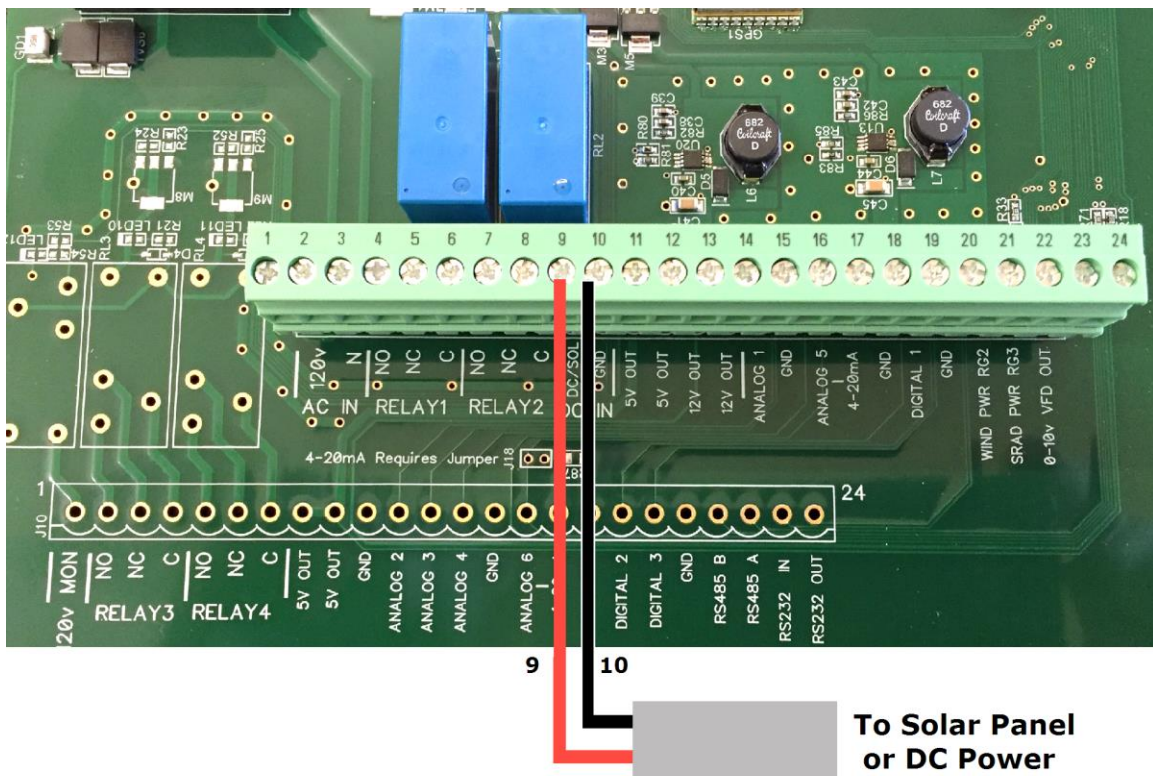
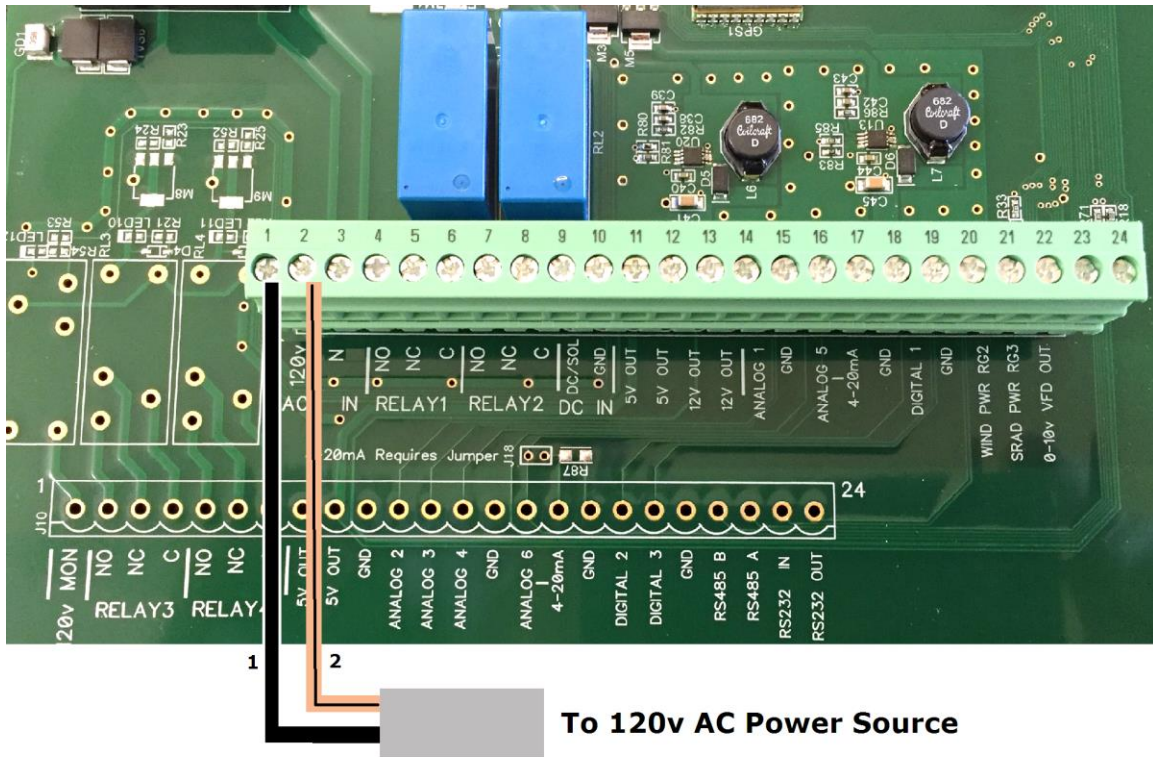
PRO



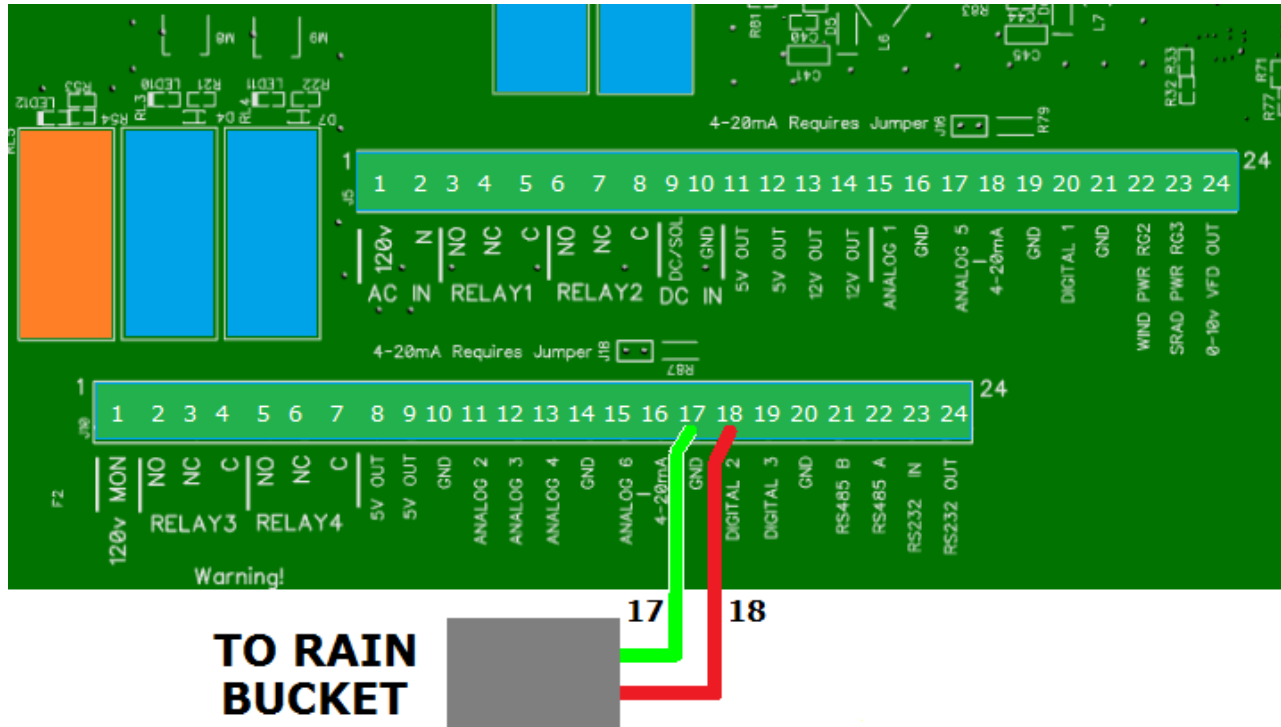
LITE



Crop Link Power – AC or DC/Solar Power



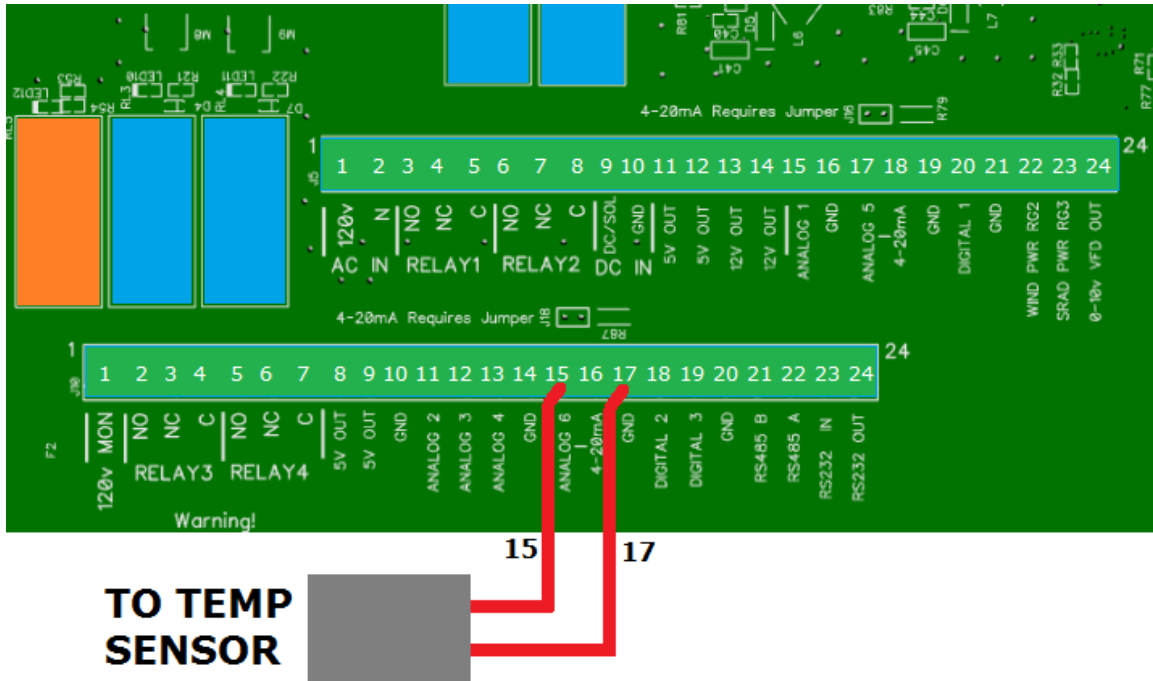
Crop Link Rain Bucket Wiring



Wiring of the Rain Bucket (supplied by AgSense) to the Crop Link Unit:

1. Connect the Green wire to any terminal marked GND as shown above.
2. Connect the Red wire to the terminal marked DIGITAL 2 as shown above.

Crop Link Thermistor Wiring

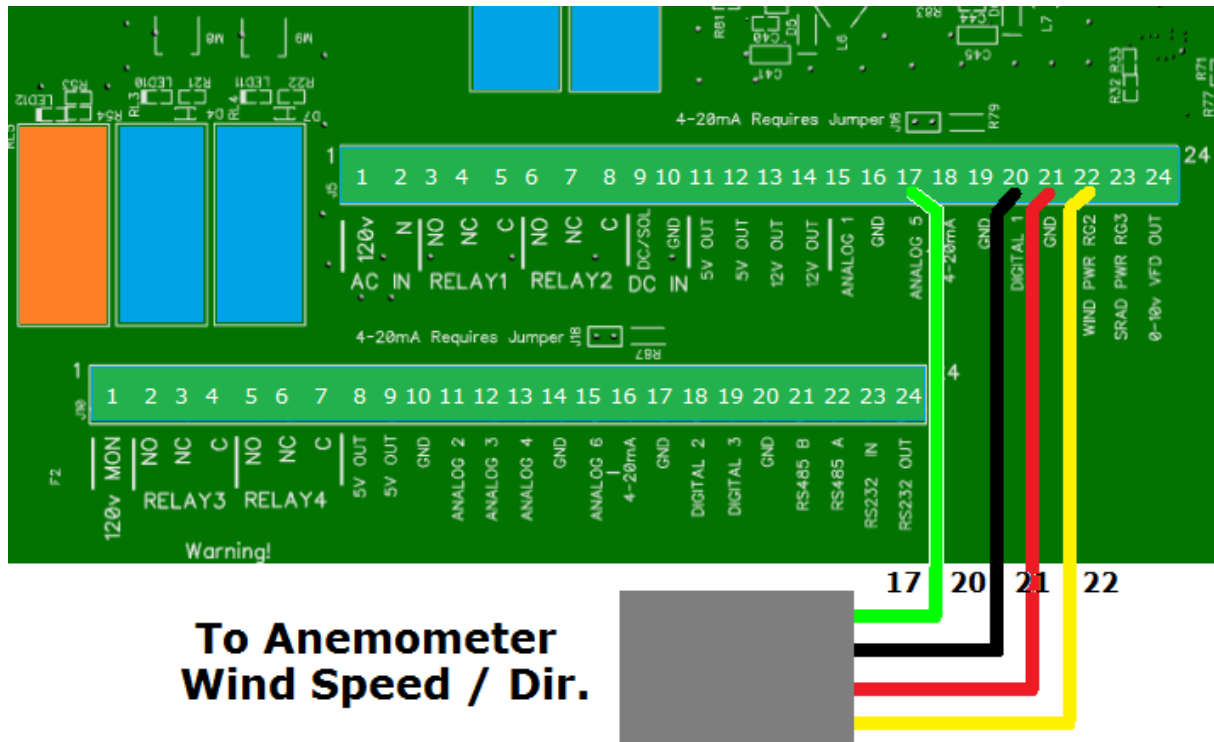


Wiring of the Thermistor (temp sensor) supplied by AgSense to the Crop Link Unit:

1. Connect one Red wire of the Thermistor to any terminal marked GND as shown above.
2. Connect the second Red wire of the Thermistor to the terminal marked ANALOG 6 as shown above. (Thermistor wires have no polarity)

Crop Link Anemometer Wiring

(Wind Speed & Direction)

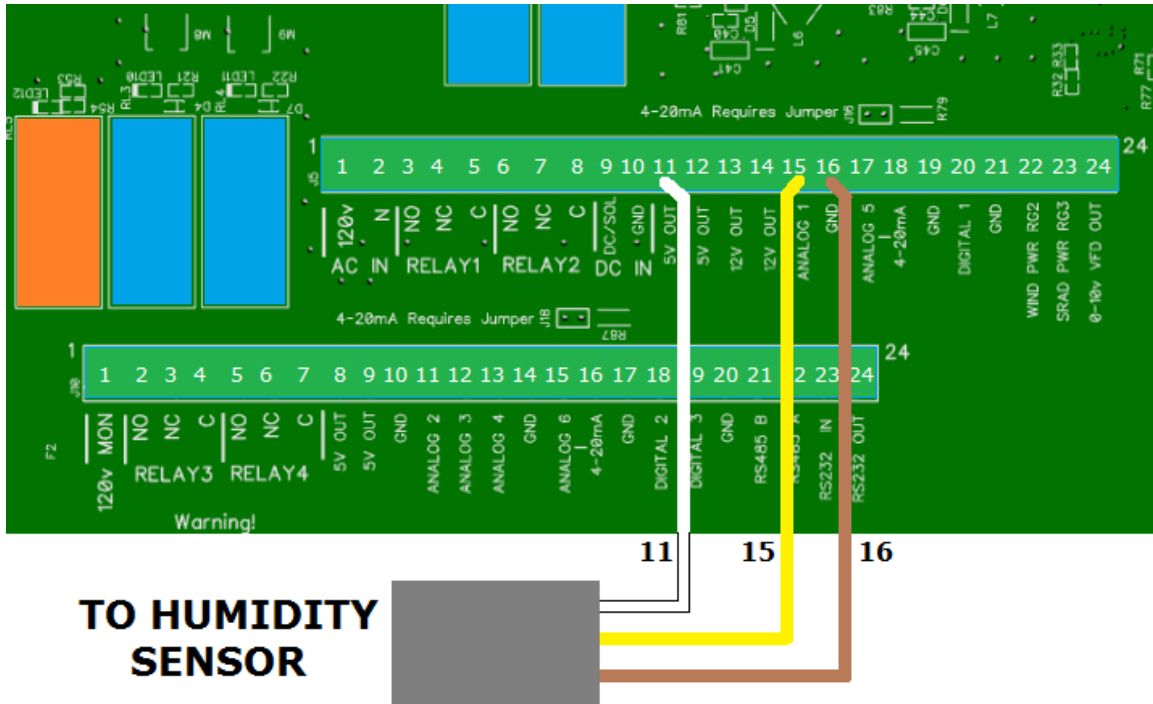


Wiring of the Anemometer supplied by AgSense to the Crop Link Unit:

1. Anemometer stem must be mounted pointing North.
2. Connect the Green wire to the terminal marked ANALOG 5 as shown above.
3. Connect the Black wire to the terminal marked DIGITAL 1 as shown above.
4. Connect the Red wire to any terminal marked GND as shown above.
5. Connect the Yellow wire to the terminal marked WIND PWR RG2 as shown above.

See Anemometer instruction booklet for calibration instructions if needed, Anemometer comes Pre-calibrated to North (stem facing north) from AgSense

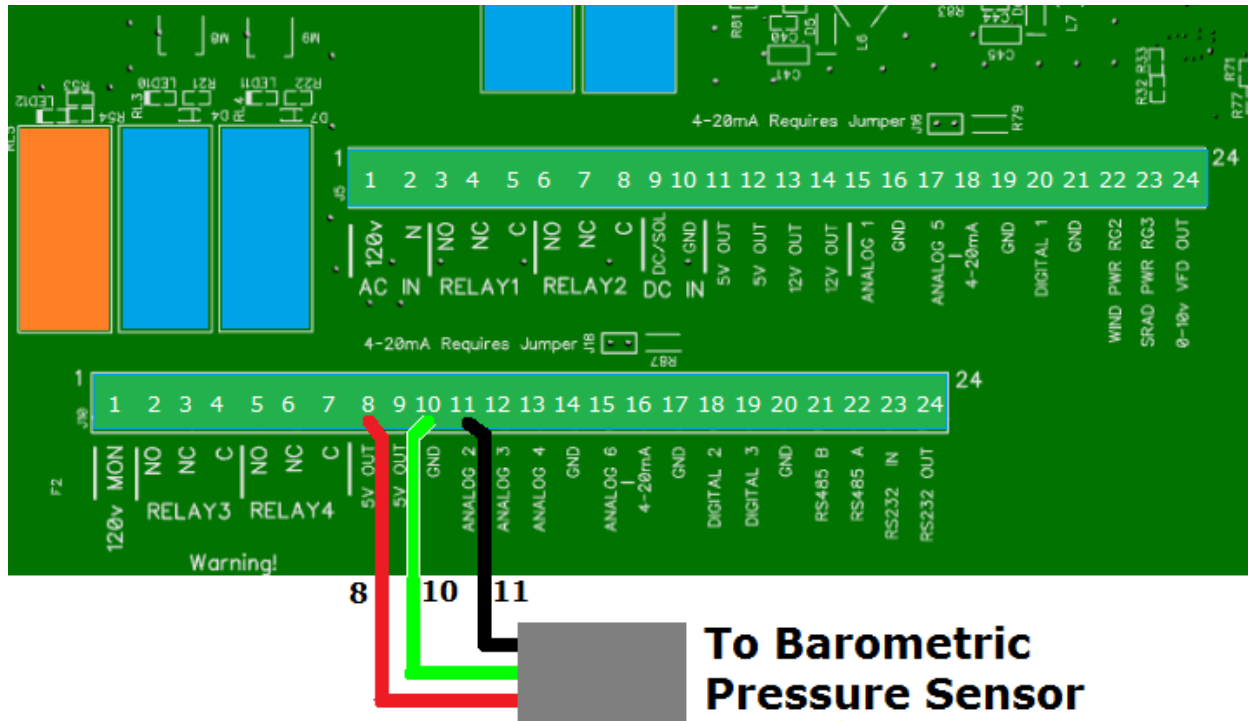
Crop Link Humidity Sensor Wiring



Wiring of the Humidity sensor supplied by AgSense to the Crop Link Unit:

1. Connect the Yellow wire to the terminal marked ANALOG 1 as shown above.
2. Connect the Brown wire to any terminal marked GND as shown above.
3. Connect the White to the 5V OUT terminal as shown above.

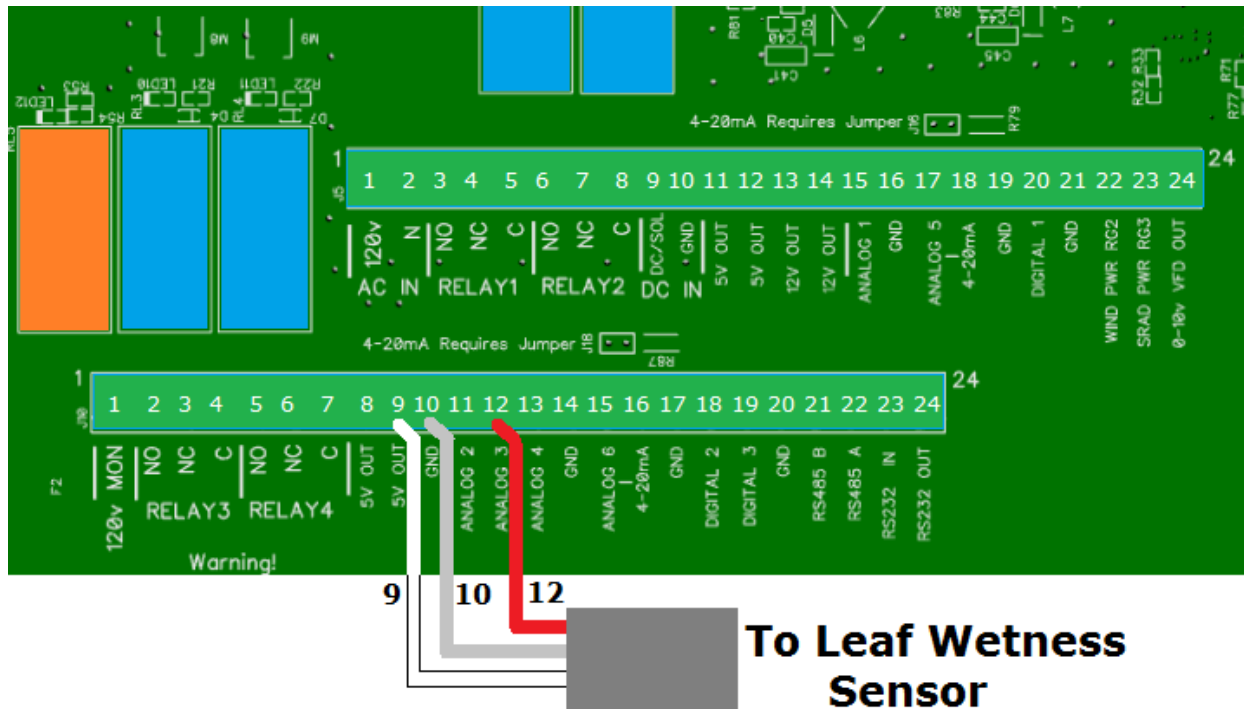
Crop Link Barometric Pressure Sensor Wiring



Wiring of the Barometric Press. sensor supplied by AgSense to the Crop Link Unit:

1. Connect the Black wire to the terminal marked ANALOG 2 as shown above.
2. Connect the Green wire to any terminal marked GND as shown above.
3. Connect the Red wire to the 5V OUT terminal as shown above.
4. Sensor stays inside of AgSense Enclosure – do not expose to the weather.

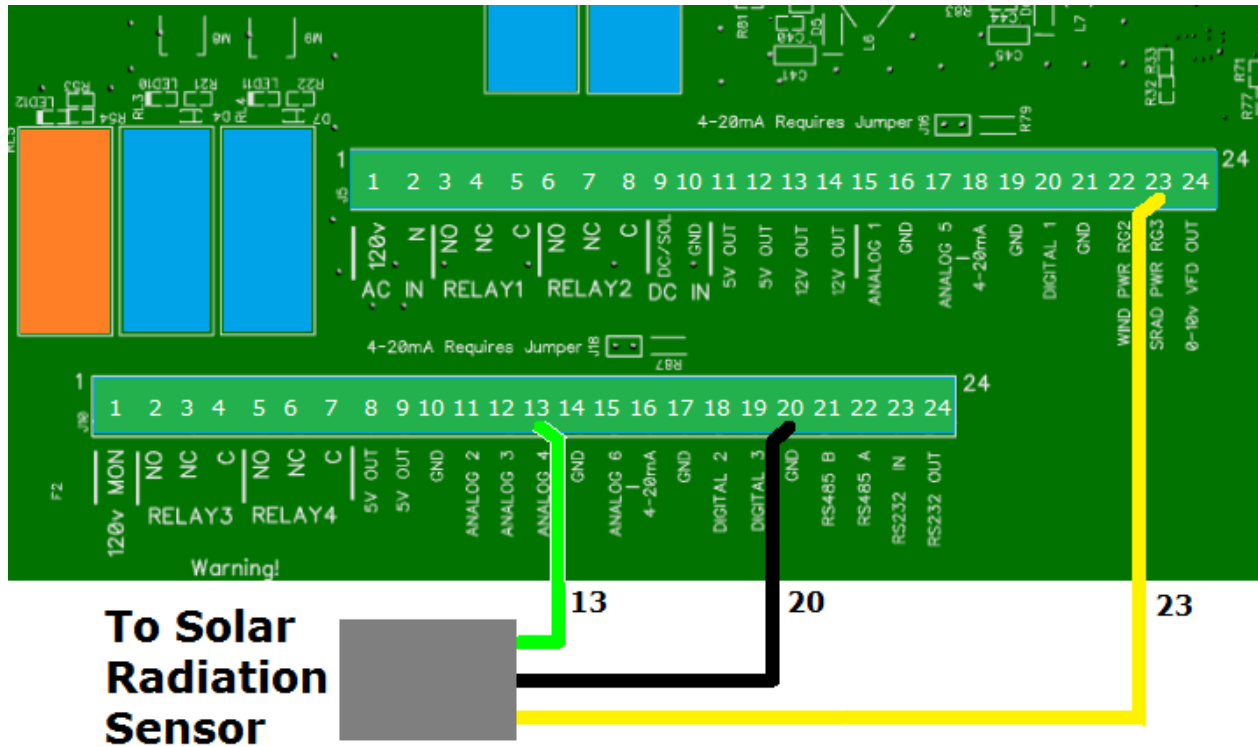
Crop Link Leaf Wetness Sensor Wiring



Wiring of the Leaf Wetness sensor supplied by AgSense to the Crop Link Unit:

1. Connect the Red wire to the terminal marked ANALOG 3 as shown above.
2. Connect the Bare wire to any terminal marked GND as shown above.
3. Connect the White wire to the 5V OUT terminal as shown above.

Crop Link Solar Radiation Sensor Wiring



Wiring of the Solar Radiation sensor supplied by AgSense to the Crop Link Unit:

1. Connect the Green wire to the terminal marked ANALOG 4 as shown above.
2. Connect the Black wire to any terminal marked GND as shown above.
3. Connect the Yellow wire to the SRAD PWR RG3 terminal as shown above.