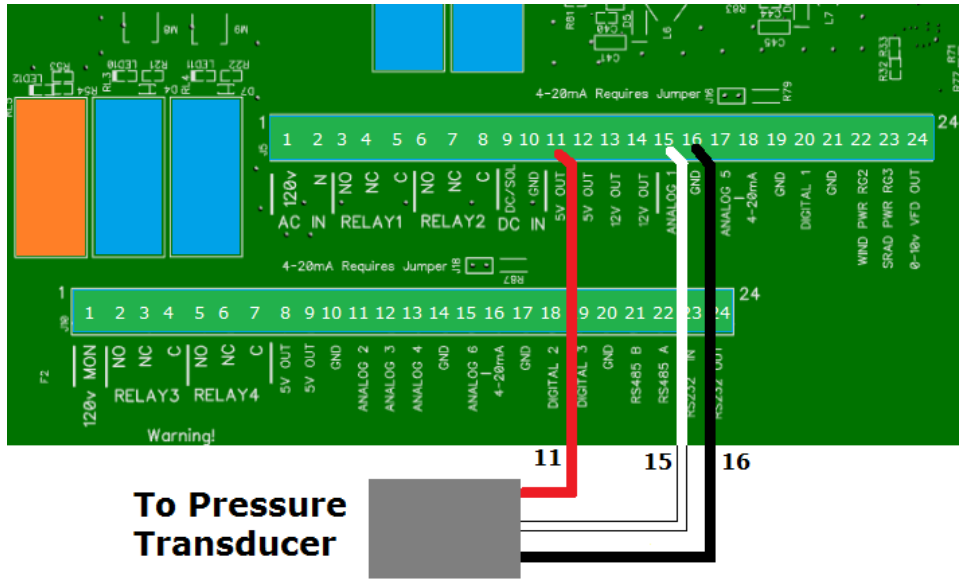
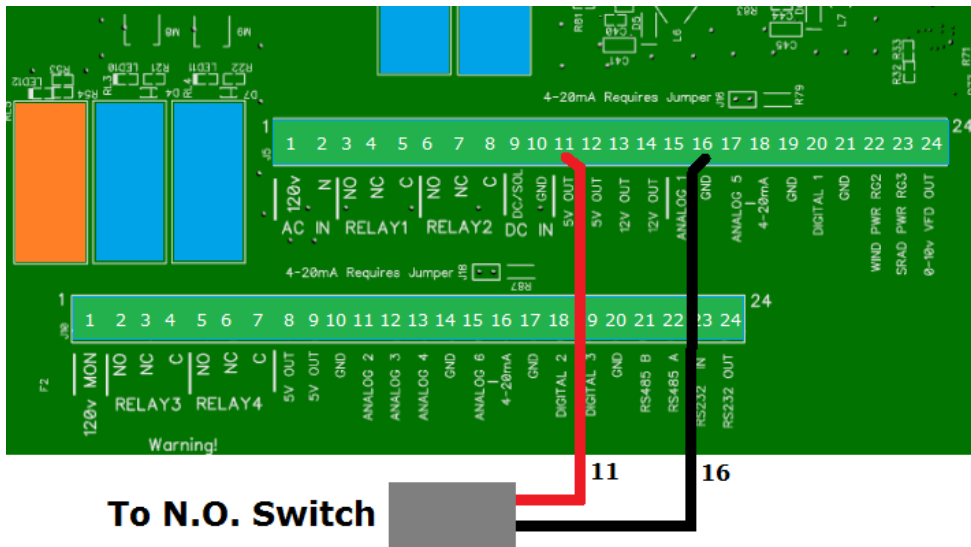


# Crop Link Pressure transducer, or Switch Closure Wiring



The pressure transducer is wired into the crop link as follows:

1. Red connects to 5V OUT as shown above.
2. Black connects to any terminal marked GND as shown above.
3. White can connect to ANALOG1, ANALOG2, ANALOG3, or ANALOG4



Pressure switch (or float switch), Switch Closure, or Relay Closure is wired into the croplink as follows:

1. Connect one wire of the switch/contacts to 5V OUT as shown above.
2. Connect the second wire of the switch/contacts to ANALOG1, ANALOG2, ANALOG3, or ANALOG4 as shown above.